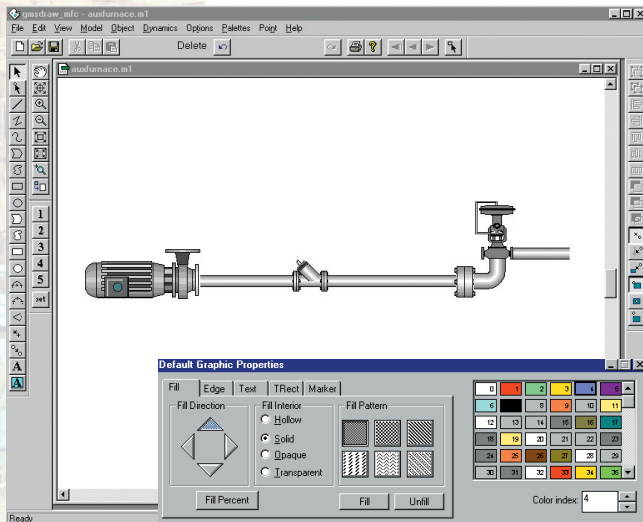


## SL-GMS J/Developer

J/Developer is ideal for high-performance, real-time data displays that require a flexible graphic development environment. Java developers choose J/Developer for its flexible graphic objects, rapid prototyping capabilities, and to take advantage of Java's cross-platform independence and web support.

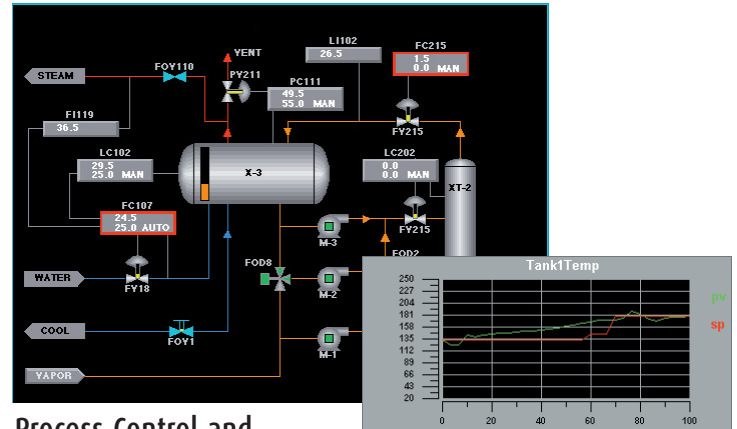
### Highlights

- Populate displays with dynamic objects driven by real-time data
- Design your own objects or use existing libraries, featuring Software Toolbox® Symbol Factory
- Optimize performance of web applications with highly compact code – true *thin-client* technology
- Easily convert existing SL-GMS displays to Java applets or applications, preserving investment in screen development – an easy migration path for existing SL-GMS users
- Convert a variety of third-party symbols and maps to pure, compact Java Classes
- Supports AWT and Swing
- Create graphic editors, enabling end users to customize displays with the Custom Editor option



### SL-GMSDraw Dynamic Graphic Editor

Design or import graphic objects, attach dynamic behaviors, and preview connections to live data from your application.



### Process Control and Manufacturing Execution Systems

Use SL-GMSDraw to create dynamic graphic interfaces driven by your real-time data.

### SL-GMSDraw Dynamic Graphic Editor

(included with J/Developer)

Create customized graphic displays where dozens of dynamic behaviors can be associated with any given object and then easily connected to live data in your application, including XML.

- Design or import objects, attach dynamic behaviors, and preview connections to real-time data – all without leaving the editor
- Define dynamic behaviors and create custom object palettes for use by other developers or even non-technical end-users

### SL-GMS Code Generator

(included with J/Developer)

Convert models created in SL-GMSDraw into source code for Pure Java Classes.

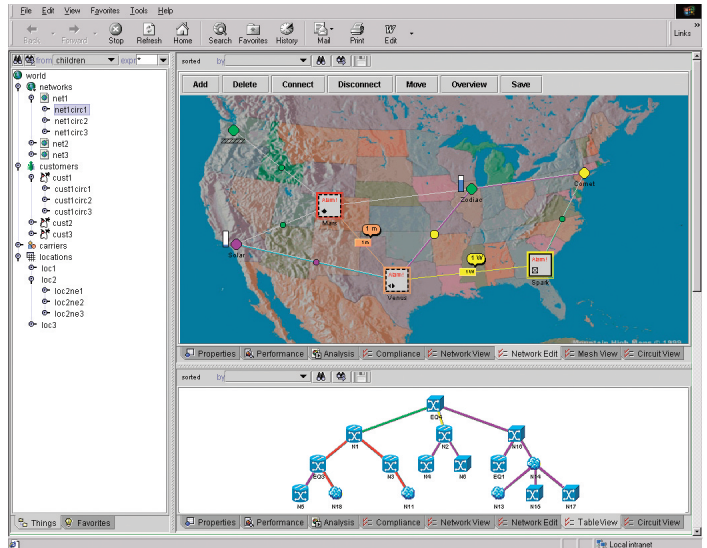
- Only the code necessary to manage displayed objects is included in generated classes, creating optimized applets ideal for web access
- Generated Pure Java Classes are integrated into applets or applications that perform the same dynamic graphic operations found in SL-GMS

## SL-GMS Development Tools

SL-GMS (Graphical Modeling System) allows developers to quickly create high-performance, dynamic graphic interfaces for real-time data display across Java™, .NET, C++, and ActiveX®. Using a common dynamic graphic editor allows development efforts in one area to be quickly and efficiently deployed in other environments, preserving your investment.

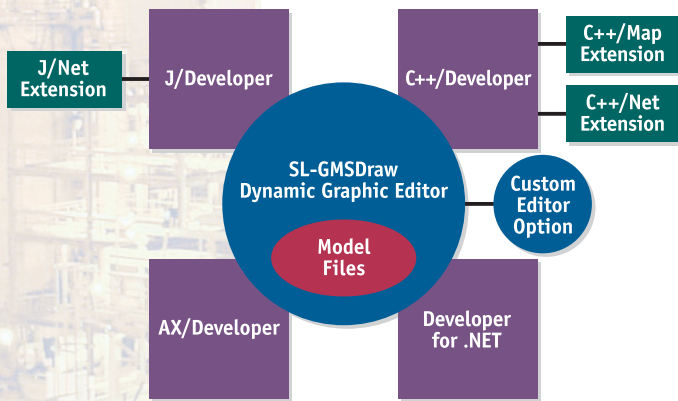
In conjunction with J/Developer, the J/Net extension offers unique functionality for the rapid development of network and element views requiring physical, logical and equipment displays.

SL's distinct yet completely integrated development packages, in conjunction with professional services and support, promote rapid development, accelerate time-to-market for your application, reduce risk, and provide the lowest total cost of ownership.



## SL-GMS J/Net for Network and Element Views

The J/Net extension to J/Developer offers an unprecedented degree of flexibility, optimized to provide advanced mapping capabilities in stand-alone Java applications or compact applets.



J/Developer is a fully integrated component of the SL-GMS product line.

SL Corporation was founded in 1983 and is a leading provider of graphic software for real-time data display. The SL-GMS product line has maintained its leadership position as the most technically advanced and cost-effective solution for creating customized displays for the visualization and control of real-time events and processes.

To find out why global market leaders such as ABB, Agilent, CalTrans, Hewlett-Packard, NASA and NTTDoCoMo rely on SL to power the graphic display of their mission-critical data, call 415.927.8400 to schedule a complimentary development consultation and product evaluation or visit us on the web at [www.sl.com](http://www.sl.com).



**SL Corporation®** 240 Tamal Vista Boulevard  
Corte Madera, CA 94925 USA  
415.927.8400 • 415.927.8401 fax  
[www.sl.com](http://www.sl.com)

*Dynamic Graphics for Real-Time Data Display*